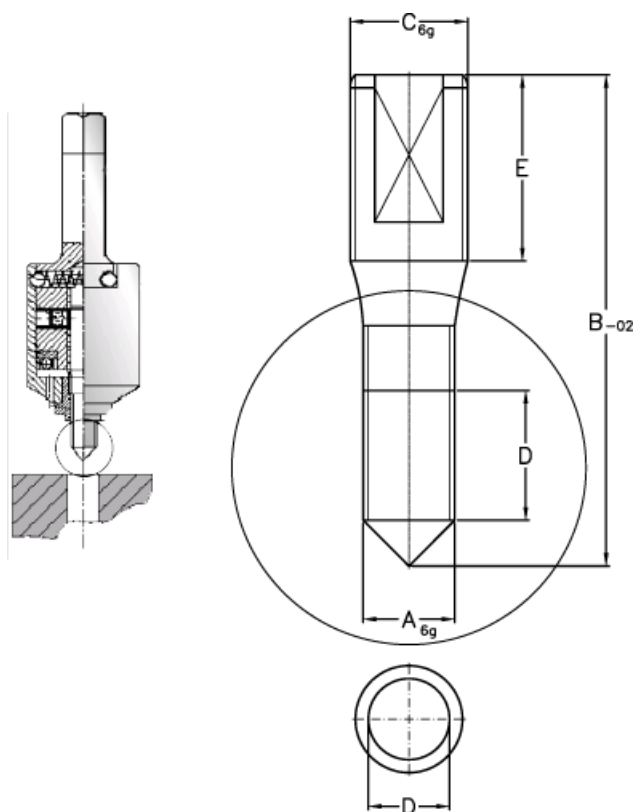


Article number: 12620000025700

Description: Threaded pin 620 000 025.700
For M2,5

Measures



A = M2,5

B = 30.0

C = M4

D = 5.8

E = 13